

4

3

2

1

SPECIFICATIONS:

POWER RATING: 2 WATTS

FREQUENCY RANGE: 2.0 GHz TO 2.5 GHz

AMBIENT TEMPERATURE RANGE: -40°C. TO +70°C.

INSERTION LOSS: < 0.2 dB (ABOVE 3dB SPLIT)

ISOLATION: > 20 dB MIN. (J2 TO J3)

VSWR: 1.17:1 MAX

MATCHING: < 1.0 DEGREE PHASE

< 0.2 dB AMPLITUDE

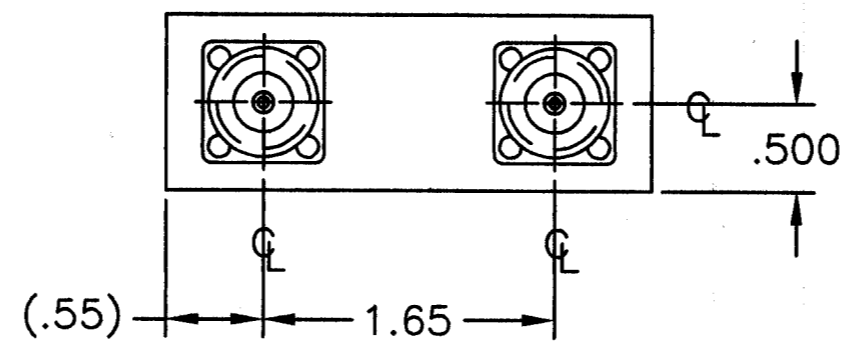
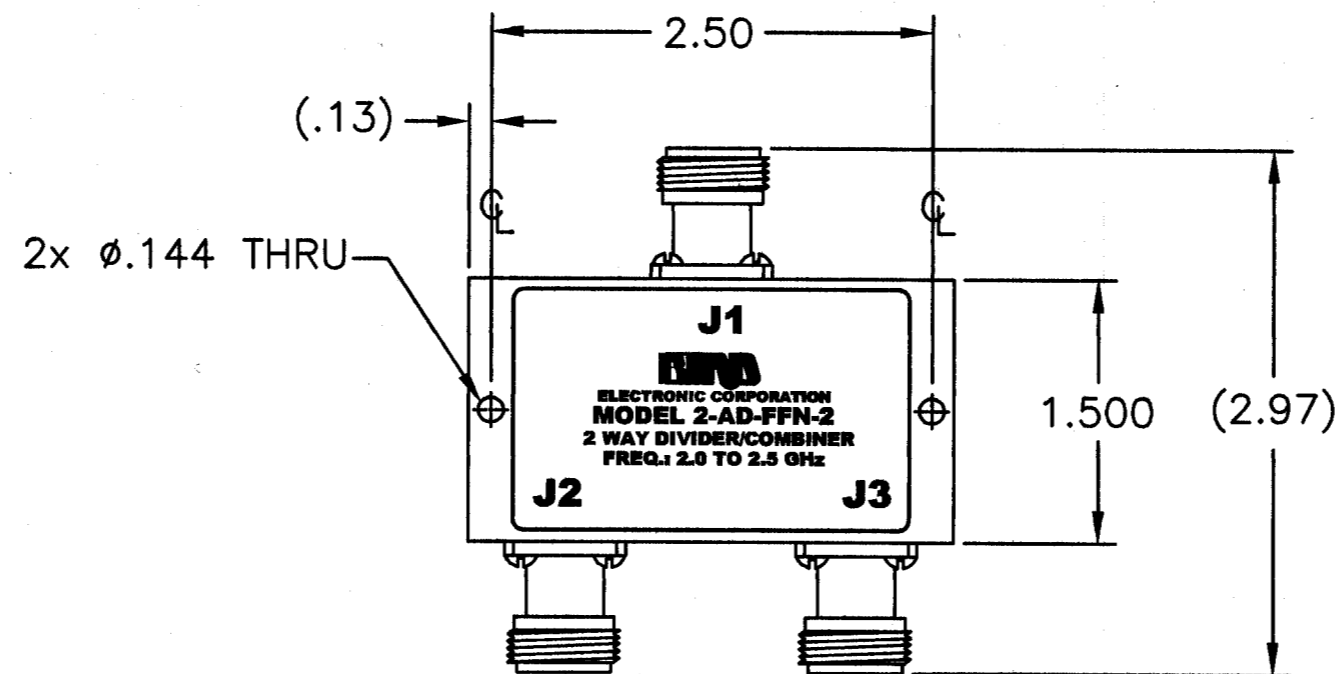
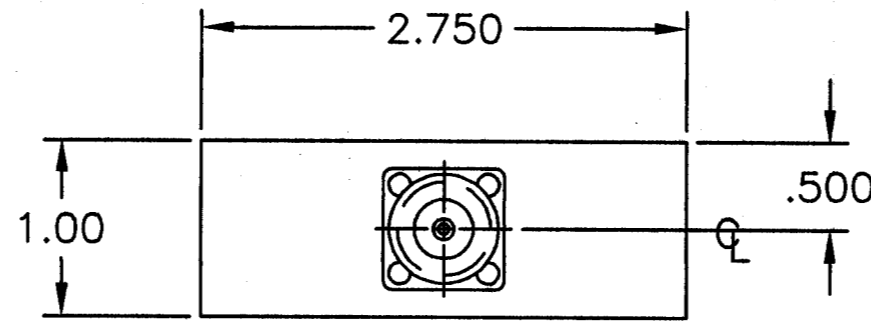
CONNECTORS: N-TYPE FEMALE, BRASS TRI-ALLOY PLATED, HERMETIC FLANGE

ENVIRONMENTAL: WEATHER-TIGHT SEAL


- ALL MATING CONNECTORS MUST HAVE WEATHER TIGHT GASKETS.

HOUSING: ALUMINUM, TRI-ALLOY

REVISIONS		DWG. NO.	SHEET	
ZONE	REV	DESCRIPTION	DATE	APPROVED
		2-AD-FFN-2	1	B
A		CONVERT TO BEC FORMAT	DMR	2-19-03
B		LABEL CORRECTION	DMR	3-14-03



DIMENSIONS HEREON ARE FOR CUSTOMER CONVENIENCE AND REFERENCE ONLY. TOLERANCE TO BE APPLIED ONLY WHERE INDIVIDUALLY STATED ON THE RESPECTIVE DIMENSION. -DO NOT SCALE DRAWING-

UNLESS OTHERWISE SPECIFIED DIMENSIONS ARE IN INCHES TOLERANCES ARE: FRACTIONS ± 1/64 DECIMALS .010 ANGLES ± 30'		MILLIMETERS X = ± .4 XX = ± .12		THIS DRAWING IS THE PROPERTY OF THE BIRD ELECTRONIC CORPORATION. THE DESIGNS AND SPECIFICATIONS DISCLOSED HEREON ARE PROPRIETARY AND SHALL NOT BE REPRODUCED, NOR COPIED, NOR USED AS THE BASIS FOR THE MANUFACTURE OR SALE OF APPARATUS OR DEVICES WITHOUT THEIR EXPRESS WRITTEN CONSENT.		 BIRD Electronic Corporation Cleveland (Solon) Ohio USA	
DO NOT SCALE DRAWING		APPROVALS		DATE		TITLE	
MATERIAL		DRAWN D.M.RINK		2-19-03		WEATHER-TIGHT POWER DIVIDER/COMBINER 2-WAY W/N-TYPE FEMALE, 2.0 GHz TO 2.5 GHz	
FINISH		CHECKED		APPROVED		SIZE FSCM NO. DWG. NO. REV	
		MARC		3-14-03		C 70998 2-AD-FFN-2 B	
		AUTOCAD		SCALE 1:1		COMM CODE BC3 SHEET 1 OF 1	

4

3

2

1